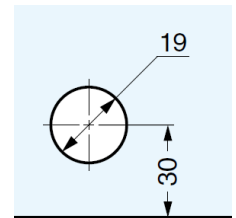
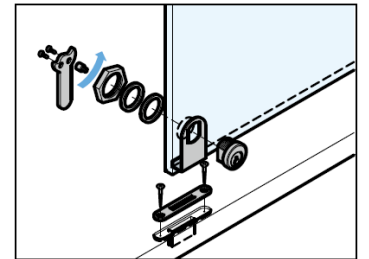
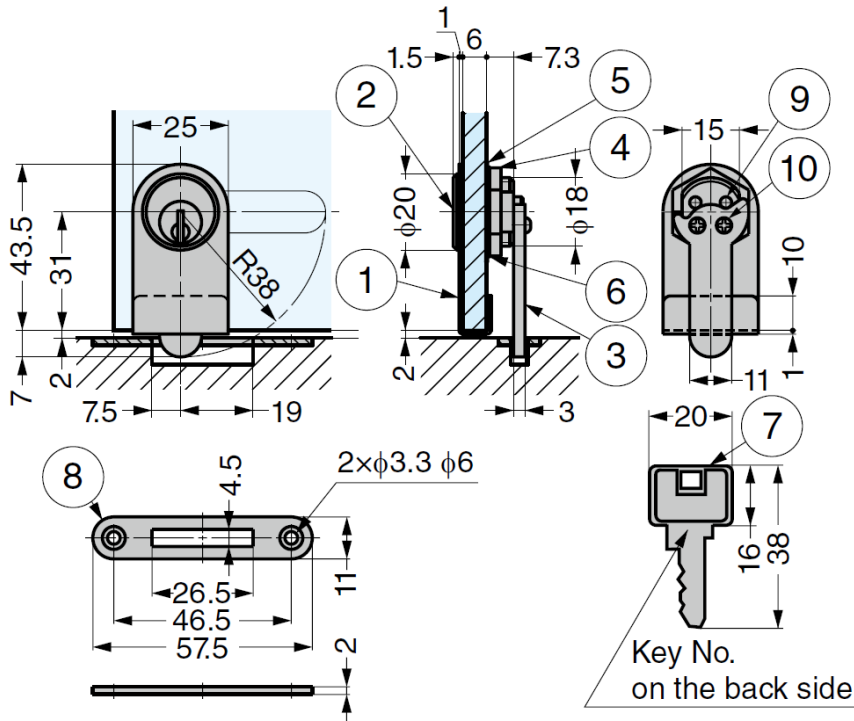


G2100GL Glass Door Cam Lock

Features

- For glass single swing doors
- Available for both right and left swing doors
- Key can be removed when locked
- 12 key changes available
- Keys can be shared with **G2100 Lock Series**



No.	Part Name	Material	Finish/Colour
①	Front Plate	Stainless Steel (SUS304)	Polished
②	Body	Brass	Satin Nickel
③	Cam	Steel	Nickel
④	Hex Nut	Brass	
⑤	Plastic Washer	PA	Natural
⑥	Washer	Steel	Chrome
⑦	Key	Brass	Nickel
⑧	Strike	Steel	Chrome
⑨	Screw (Stopper for the Cam)	Brass	Plain
⑩	Screw (for Installing Cam) (Pan Head Screw M2.5 x 8)	Steel	Nickel

Part No.	Key Type	Glass Thickness
G2100GL-B	Keyed Differently	4 ~ 6
G2100GL-D	Keyed Alike	